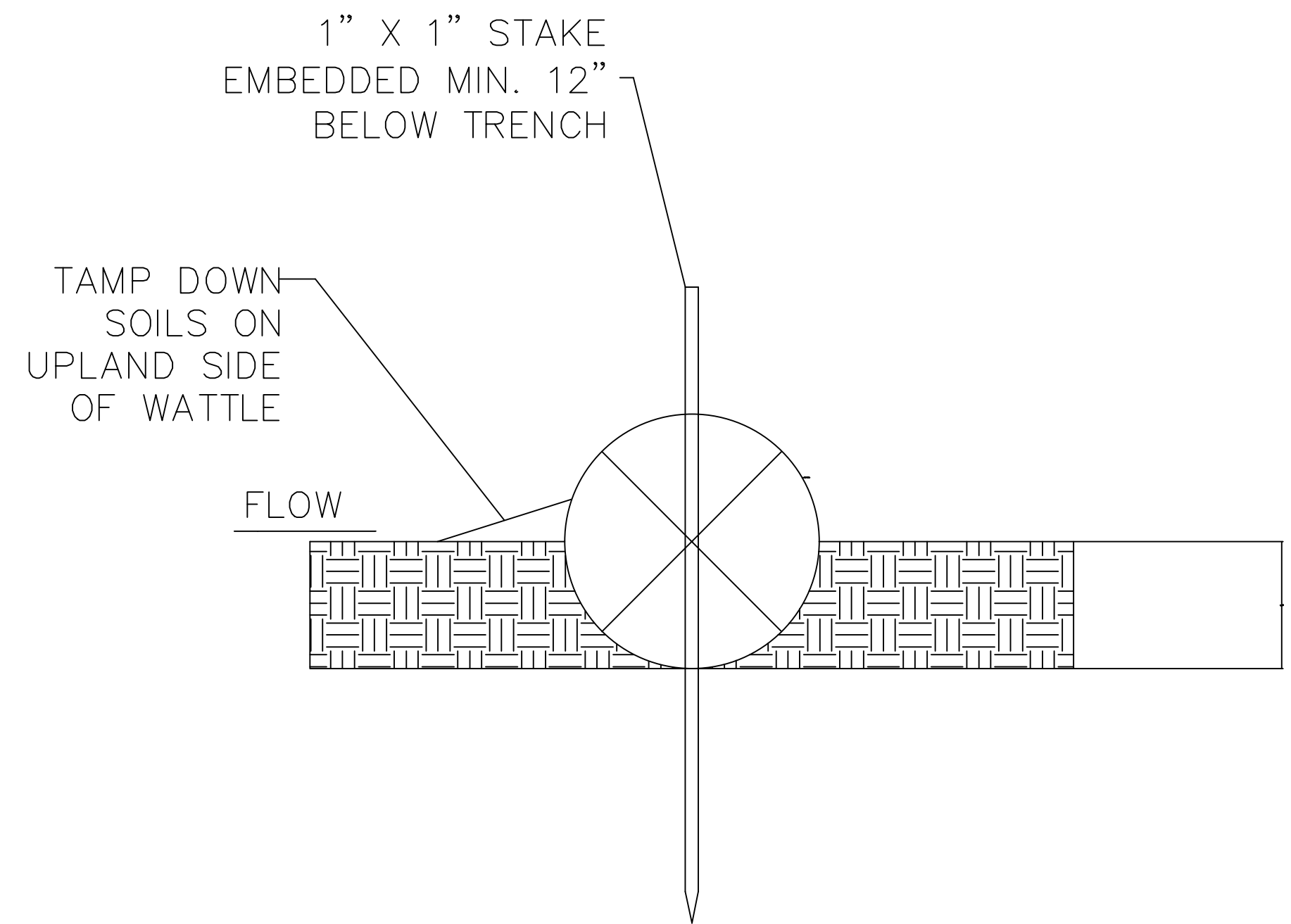
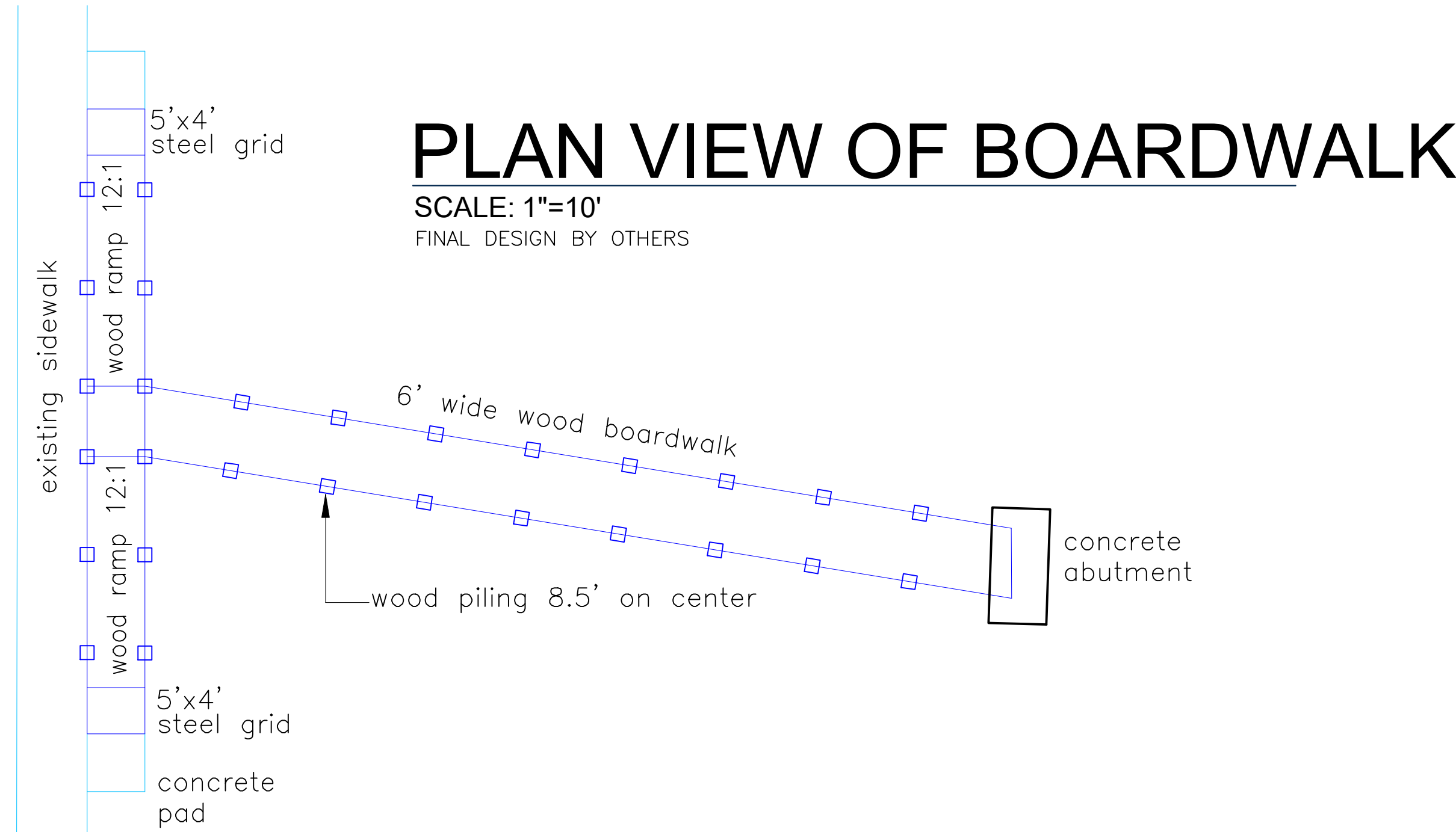


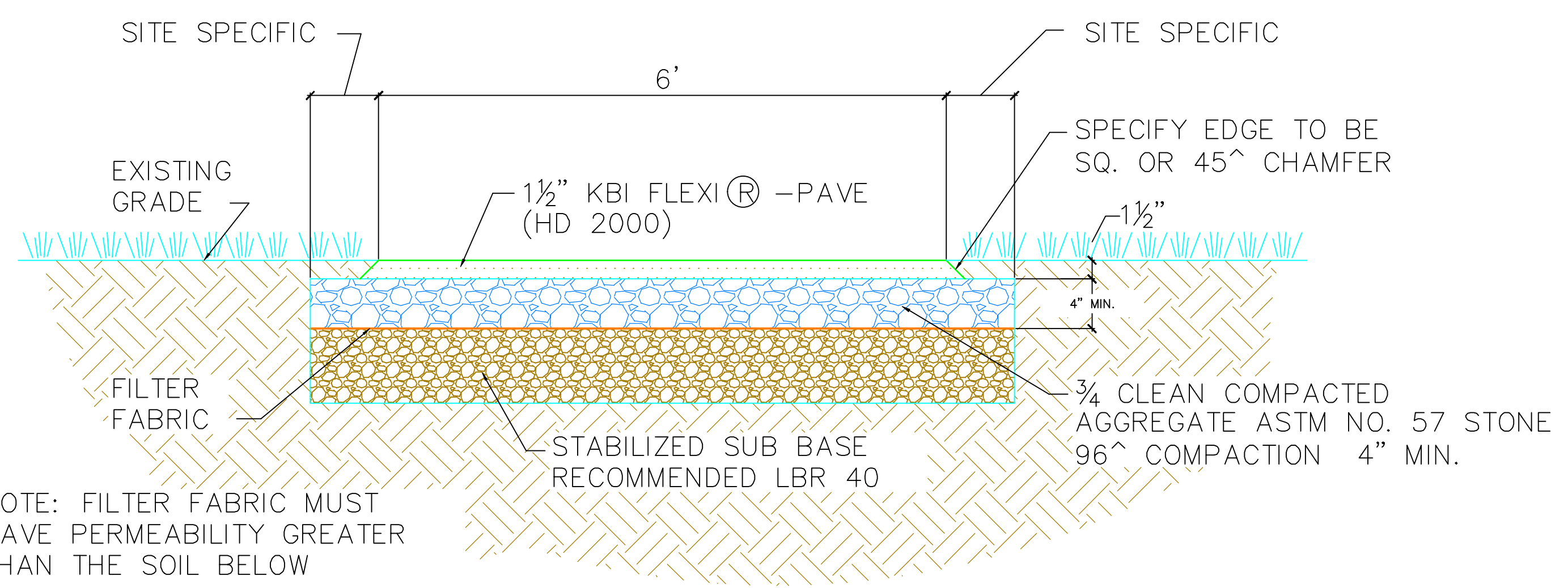
**Lovell Field Pedestrian Bridge**  
**-- Notice of Intent Plan, Details --**  
 Scale: N.T.S.  
 Elevations = T.O.W. Datum, NAVD88 + 6.63'  
 \\S\Dept. Share\Eng.\Cad\Projects\2019\2019-60\DETAILS



**STRAW WATTLE DETAIL**  
 SCALE: NTS

- NOTES:
1. WATTLES SHALL BE FILLED WITH STRAW OR COMPOST.
  2. WATTLES SHALL BE INSTALLED IN LOCATIONS AS SHOWN ON SHEET C-2.
  3. SPACE STAKES 4'0" APART MAX.
  4. WATTLES SHALL BE MAINTAINED THROUGHOUT CONSTRUCTION. TRENCHES SHALL BE DRESSED WITH LOAM AND SEEDED AFTER REMOVAL OF WATTLES.

**KBI FLEXI<sup>®</sup>-PAVE STANDARD SIDE DETAIL**



NOTE: FILTER FABRIC MUST HAVE PERMEABILITY GREATER THAN THE SOIL BELOW

<b>K.B. Industries, Inc.</b> 7300 BRYAN DAIRY RD., SUITE 400 LARGO, FL. PH: 727-723-3300 FAX: 727-723-3600 WWW.KBIUS.COM	DRAWN BY: T.J.G.
	DATE: 10/22/14
	SCALE: NTS
	NTS