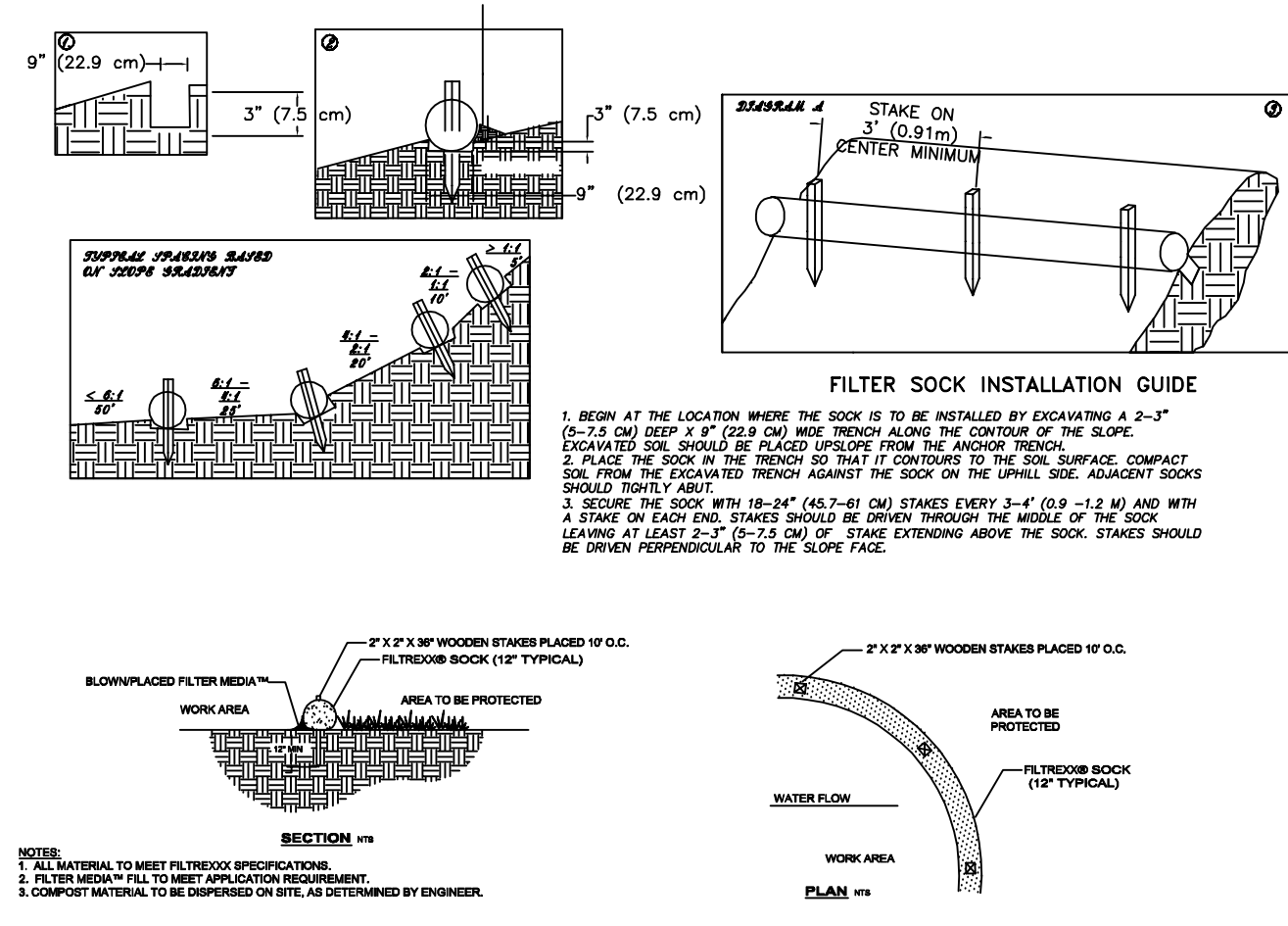


**GENERAL NOTES:**

- EXISTING CONDITIONS AND PROPERTY LINES DEPICTED WERE OBTAINED FROM SITE PLAN OF LAND PREPARED BY HOYT LAND SURVEYING DATED APRIL 25, 2023.
- THE PROPERTY IS SHOWN ON THE TOWN OF WEYMOUTH ASSESSORS MAP 5, BLOCK 13 AS LOT 20 THEREON.
- LOCUS TITLE IS RECORDED AT THE NORFOLK COUNTY REGISTRY OF DEEDS AS FOLLOWS:  
OWNER OF RECORD: KATHLEEN SULLIVAN  
—LAND COURT CERTIFICATE #157697
- ELEVATIONS SHOWN HEREON ARE REFERENCED TO THE TOWN OF WEYMOUTH DATUM.
- LOCUS IS PARTIALLY LOCATED IN FLOOD ZONE AE (ELEV 11) AS SHOWN ON FEMA MAP #25021C0089F DATED JUNE 9, 2014.

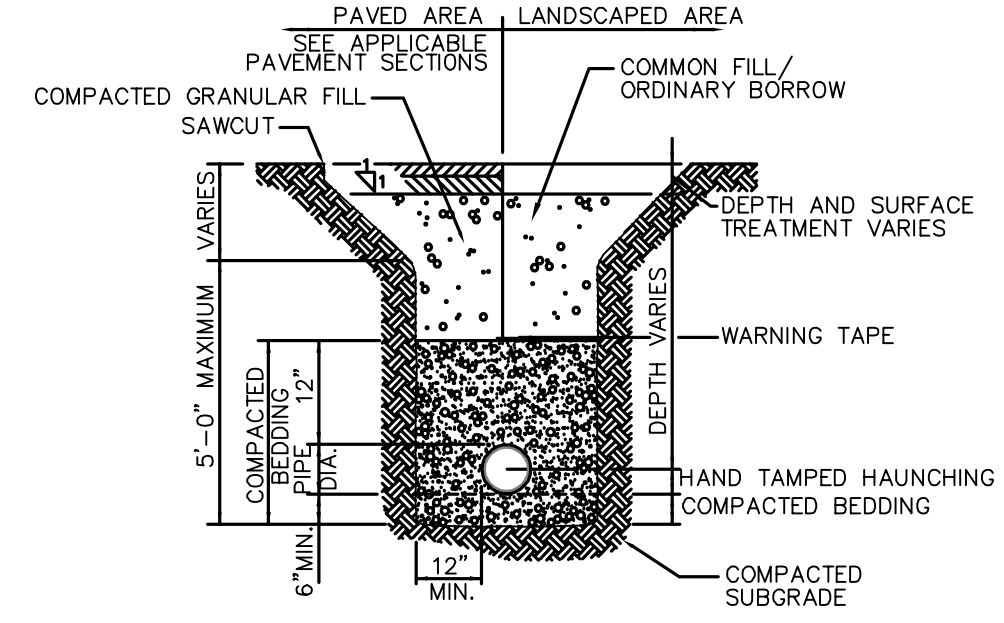
**EROSION CONTROL NOTES**

- PRIOR TO COMMENCING EARTH DISTURBANCE, INSTALL STAKED FILTER SOCK AND MAINTAIN THROUGHOUT ALL CONSTRUCTION.
- ALL DISTURBED AREAS SHALL BE LOAMED AND SEEDED IMMEDIATELY UPON COMPLETION OF CONSTRUCTION.
- ALL MATERIALS AND STOCKPILES SHALL BE STORED ON UPLAND AREAS. STOCKPILES SHALL BE SURROUNDED BY FILTER SOCK, SHALL HAVE SIDE SLOPES NO GREATER THAN 30%, AND SHALL BE SEEDED OR STABILIZED IF LEFT UNDISTURBED FOR TWO WEEKS OR MORE.
- SEDIMENTATION CONTROL DEVICES SHALL BE INSPECTED AND MAINTAINED PRIOR TO ANY EVENTS AND PROMPTLY AFTER EACH RAINFALL.
- ANY SLOPE STEEPER THAN 3:1 SHALL BE EQUIPPED WITH JUTE MESH SLOPE STABILIZATION.
- ALL CATCH BASINS SHALL BE PROVIDED WITH FILTER SOCK DIKES UNTIL BASE COURSE IS IN PLACE.
- FILTER SOCK FILLER MATERIAL SHALL BE COMPOSTED MULCH.
- ALL UTILITIES SHALL BE LOCATED UNDERGROUND.
- CONTRACTOR TO PROVIDE A STABILIZED STONE LINE CONSTRUCTION ENTRANCE FOR CONSTRUCTION EQUIPMENTS TO ENTRANCE/EGRESS THE SITE.

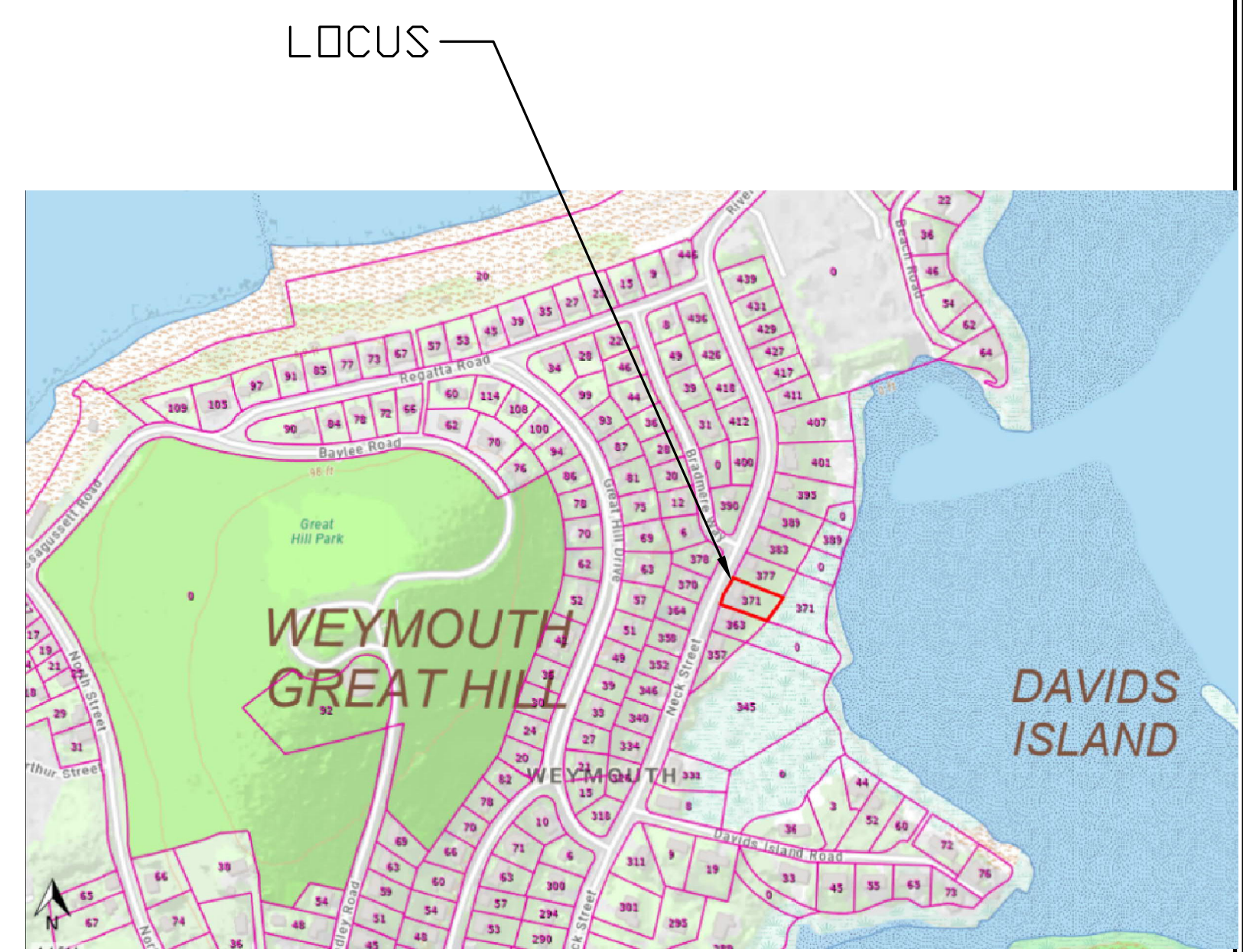
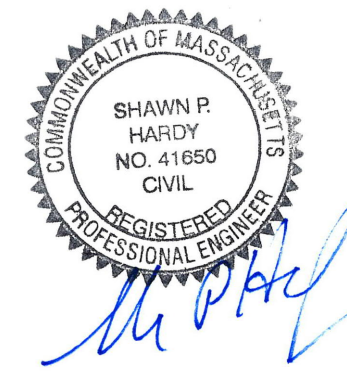


**Filtrex Erosion Control**

N.T.S.



- Notes:**
- WHERE UTILITY TRENCHES ARE CONSTRUCTED THROUGH DETENTION BASIN BERMS OR OTHER SUCH SPECIAL SECTIONS, PLACE TRENCH BACKFILL WITH MATERIALS SIMILAR TO THE SPECIAL SECTION REQUIREMENTS. USE METALLIC TRACING/WARNING TAPE OVER ALL PIPES.



**NECK STREET**



**Utility Trench**

N.T.S.

REVISIONS:			SITE PLAN		1285 WASHINGTON STREET WEYMOUTH, MA (781) 335-1464	
NO.:	COMMENTS:	DATE:	371 NECK STREET WEYMOUTH, MASSACHUSETTS			
			DRAWN BY: ZLD	DATE: 5-3-2023	<b>PREPARED FOR:</b> NOTICE OF INTENT	
			DESIGNED BY: SPH			<b>SHEET</b> C-1
			CHECKED BY: SPH			